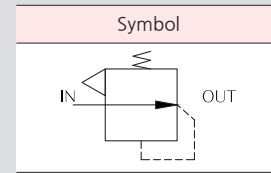


# KNR231 series



KNR231-02T



## Features

- Pressure control is soft and smooth
- The design is compact
- Handle lock operates smoothly

## How to order

KNR 231 -   02 B T

①                      ②                      ③                      ④                      ⑤

### ① Model

KNR231	Nitrogen regulator
--------	--------------------

### ② Thread type

Nil	Rc(PT) (Standard)
G	G
N	NPT

### ③ Port type

01	Rc(PT)1/8
02	Rc(PT)1/4

### ④ Bracket

Nil	None (Standard)
B	Bracket+Fixed nut

※ Bracket is packaged separately.

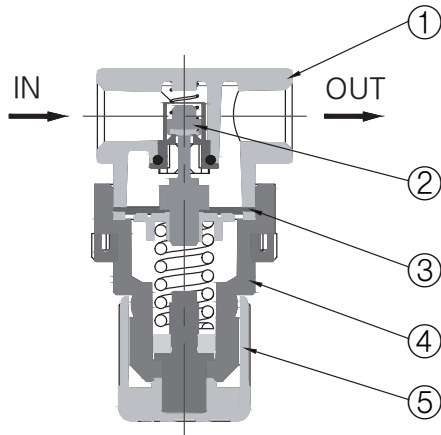
### ⑤ Gauge

Nil	None
T	Circular gauge

## Specifications

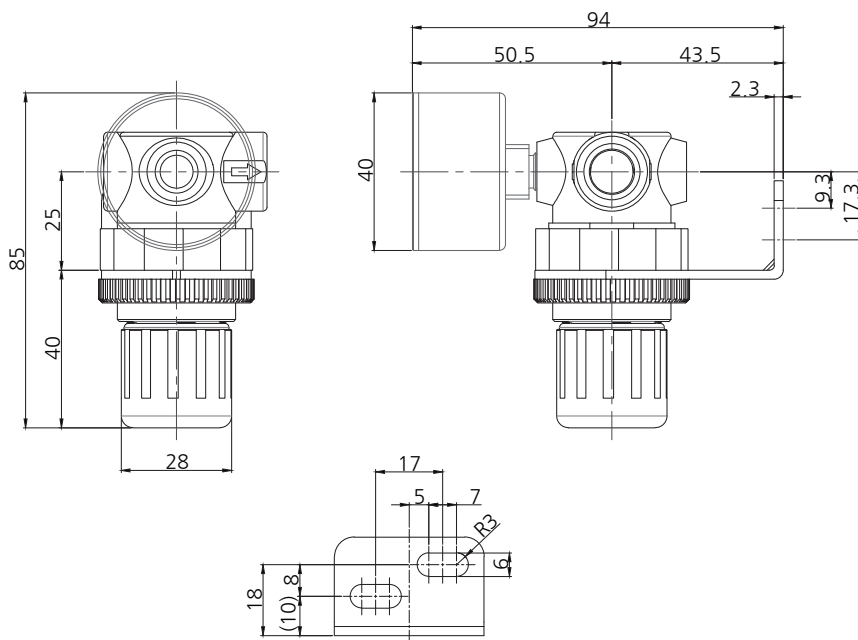
Fluid	N <sub>2</sub> (Nitrogen)
Proof pressure	1.5MPa
Max. operating pressure	1.0MPa
Regulating pressure range	0.07 ~ 0.85MPa
Ambient & fluid temperature	5 ~ 60°C
Port type	Rc(PT) 1/8, 1/4
Pressure gauge port	Rc(PT) 1/8
Structure	Non-relief type

Structure



No.	Parts	Materials
1	Body	ALDC
2	Valve	Brass
3	Diaphragm	NBR
4	Bonnet	POM
5	Handle	POM

Dimensions



L-Bracket Hole dimensions