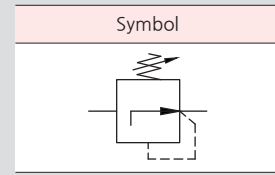


KMR231 series



KMR231-06H



Features

- Resins with excellent chemical resistance can be used to cope with various solutions

How to order

※ The symbols are displayed alphabetically.

① KMR231 - ② 06H - ③ B

① Model

KMR231	Solution correspondence regulator
--------	-----------------------------------

② Port size

06H	Bore size for Ø6 Barb Type
-----	----------------------------

③ Bracket

Nil	None
B	Bracket (Separate packing)

※ The retaining nut is attached by default.

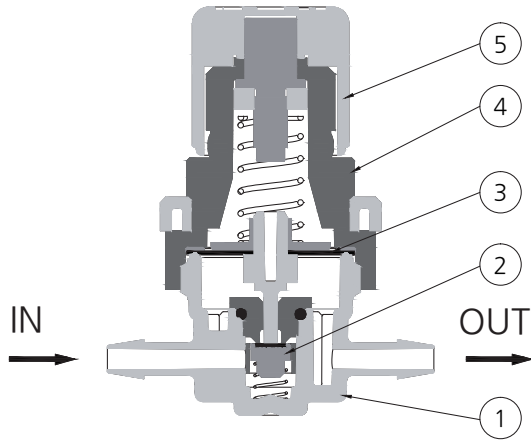
Specifications

Fluid	Water, Air
Proof pressure	0.5MPa
Max. operating pressure	0.1MPa
Regulating pressure range	0.02 ~ 0.08MPa
Ambient & fluid temperature	5 ~ 60°C
Port size	Bore size Ø6 Hose assemble
Product type	Diaphragm type
Structure	Non-relief type

⚠ Handle with care

1. Check direction when connecting pipes. (Connect to "IN" side)
2. Make sure there are no foreign substances in the pipe.

Structure



No.	Parts	Materials
1	Body	AL
2	Piston	Brass
3	Spring Bracket	Brass
4	Adjusting Spring	Brass
5	Valve Housing	AL
6	Barb Fitting	Brass

Dimensions

