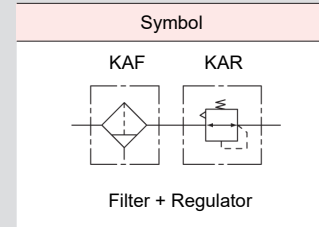


KAU201B~601B series

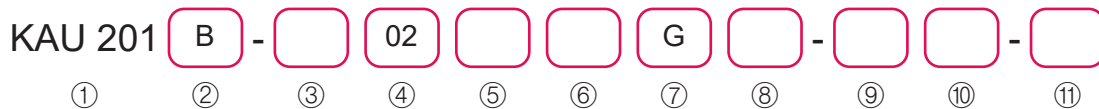


KAU301B-03G

KAU301B-03T



How to order



① Model

KAU 201	1/8", 1/4"
KAU 301	1/4", 3/8"
KAU 401	3/8", 1/2"
KAU 601	3/4", 1"

② Modular

Nil	KAF + KAR + KAL
A	KAW + KAL
B	KAF + KAR
C	KAF + KAFM + KAR
D	KAW + KAFM
E	KAFM + KAFU + KAR
F	KAW + KAFM + KAFU

③ Thread type

Nil	Rc(PT)(Standard)
G	G
N	NPT

④ Port size

		KAU			
		201	301	401	601
01	1/8"	•			
02	1/4"	•	•		
03	3/8"		•	•	
04	1/2"			•	
06	3/4"				•
10	1"				•

⑤ Filtration grade

Nil	5 μ m(Standard)
2	20 μ m(Optional)
4	40 μ m(Optional)

⑥ Drain

Nil	Manual drain(Standard)
D	Auto drain(N.O)

⑦ Gauge

G	Internal gauge (1.0 MPa)
H	Without gauge, port block included
T	External gauge (1.0 / 0.4 / 0.2 MPa)

※ 201Model - only Internal gauge, display unit: MPa

⑧ Bowl

Nil	Polycarbonate bowl
M	Metal bowl
L	Nylon bowl

⑨ Regulating range

Nil	0.05 ~ 0.85MPa(Standard)
2	0.02 ~ 0.2MPa
4	0.02 ~ 0.4MPa

⑩ Relief

Nil	Relief(Standard)
N	Non-relief

⑪ Option

Nil	None(Standard)
P	Pressure switch
R	Reverse pressure direction (R>L)
U	Digital pressure gauge with port block
V	3-port manual residual pressure release valve
W	Regulator handle position (top)

Specifications

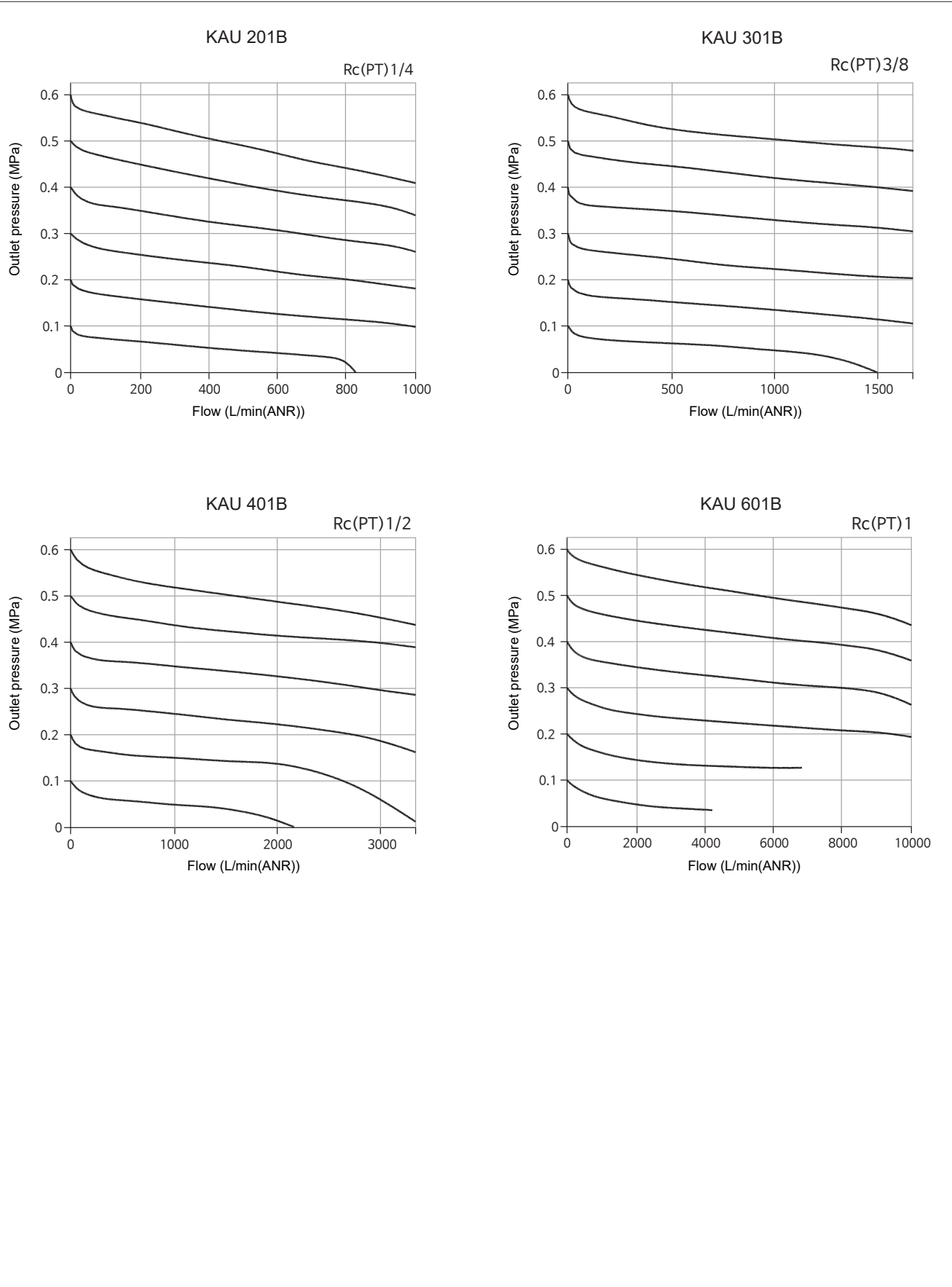
Proof pressure	1.5MPa			
Max. operating pressure	1.0MPa			
Set up pressure range	0.05 ~ 0.85MPa			
Ambient & fluid temperature	-5 ~ 60°C			
Filtration grade	Standard: 5 μ m, Option: 20, 40 μ m			
Bowl Material	Polycarbonate / Metal / Transparent nylon			
Structure	Relief(Standard) / Non-Relief			
External gauge connection	KAU201B	KAU301B	KAU401B	KAU601B
	Rc(PT) 1/8"		Rc(PT) 1/4"	
Weight(g)	360	785	1,270	3,300

⚠ Safety precaution

- Avoid using polycarbonated case in the environment with or exposed to chemical such as thinner, carbon tetrachloride, chloroform, acetic ester, cyclohexane, trichlorethylene, sulfuric acid, lactic and etc.
- For auto drain, the tube connected to the port should have diameter larger than $\varnothing 4$ and max length 1m. Please avoid upward drainage connection.
- When auto drain is not functioning, manual draining can be done by rotating the manual handle counter-clockwise.
- For manual drain, drainage should be done before the liquid surpass the sight glass.
- Min. operation pressure for auto drain is 0.15MPa.

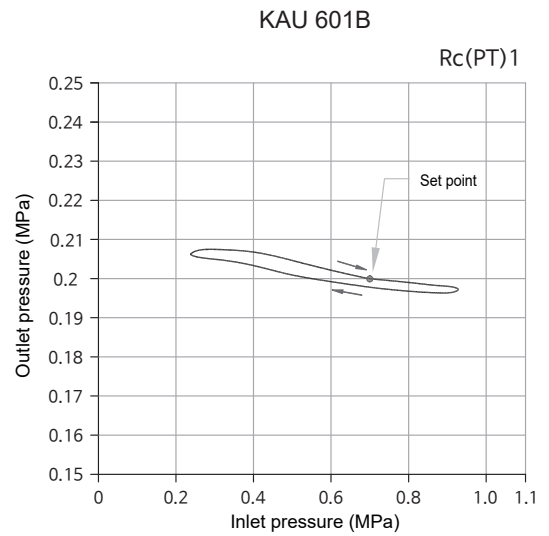
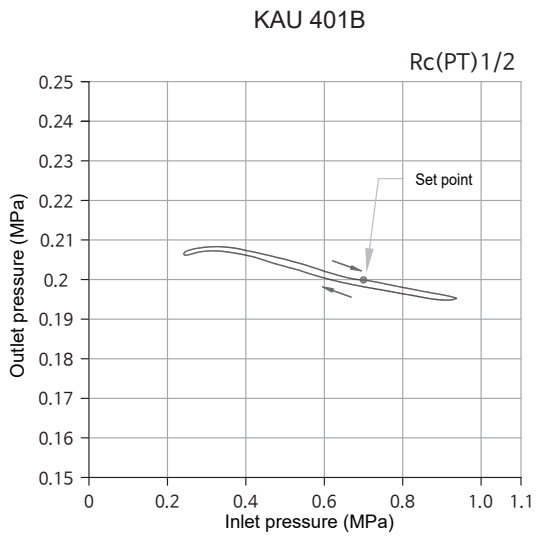
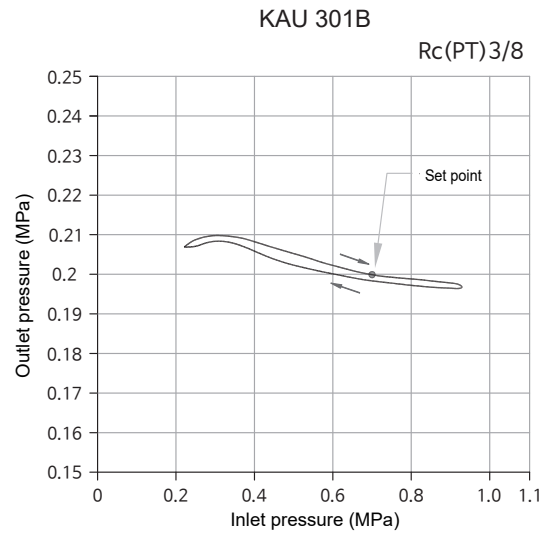
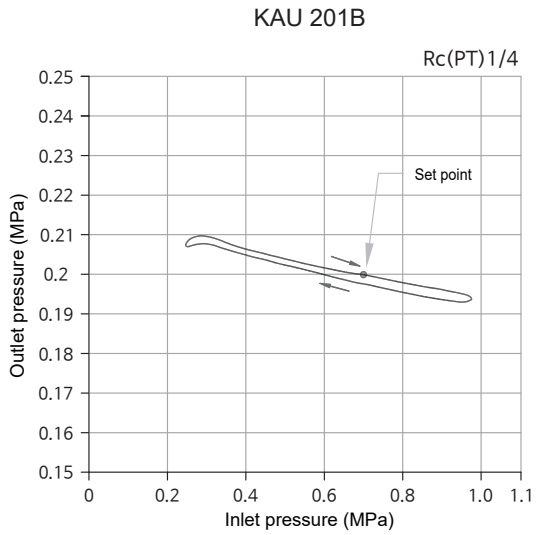
Flow rate

Condition: Inlet pressure 0.7Mpa



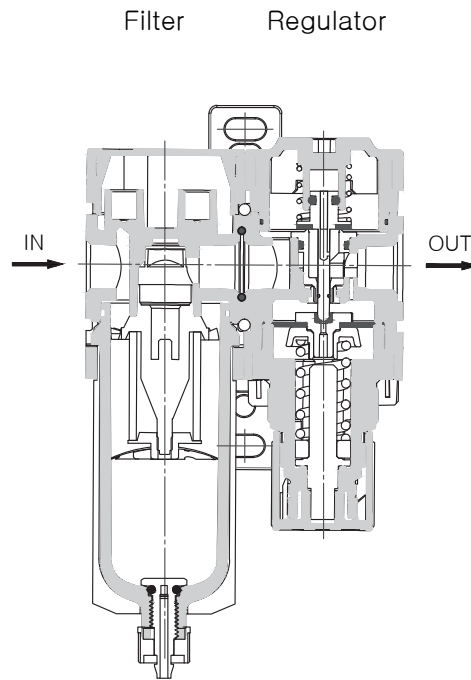
Pressure

Condition: Inlet pressure 0.7Mpa, Outlet pressure 0.2Mpa, Flow rate 20 L/min(ANR)

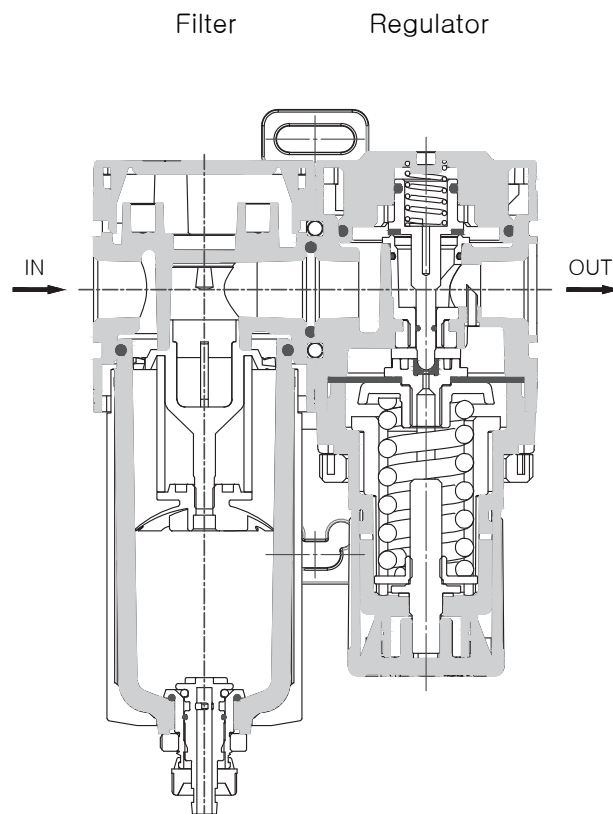


Structure

KAU 201B



KAU 301B

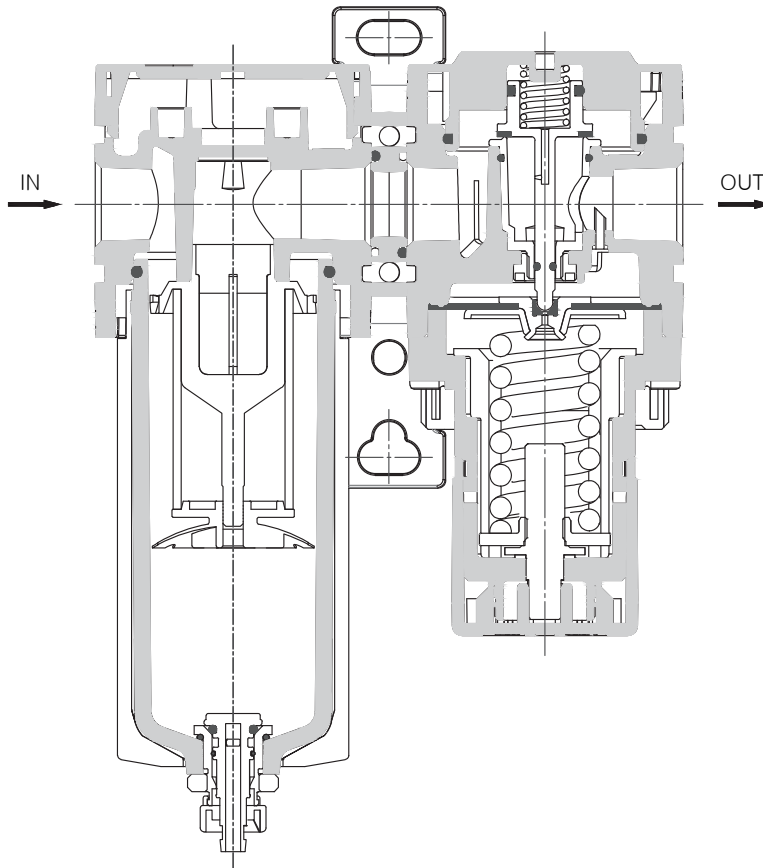


Structure

KAU 401B

Filter

Regulator

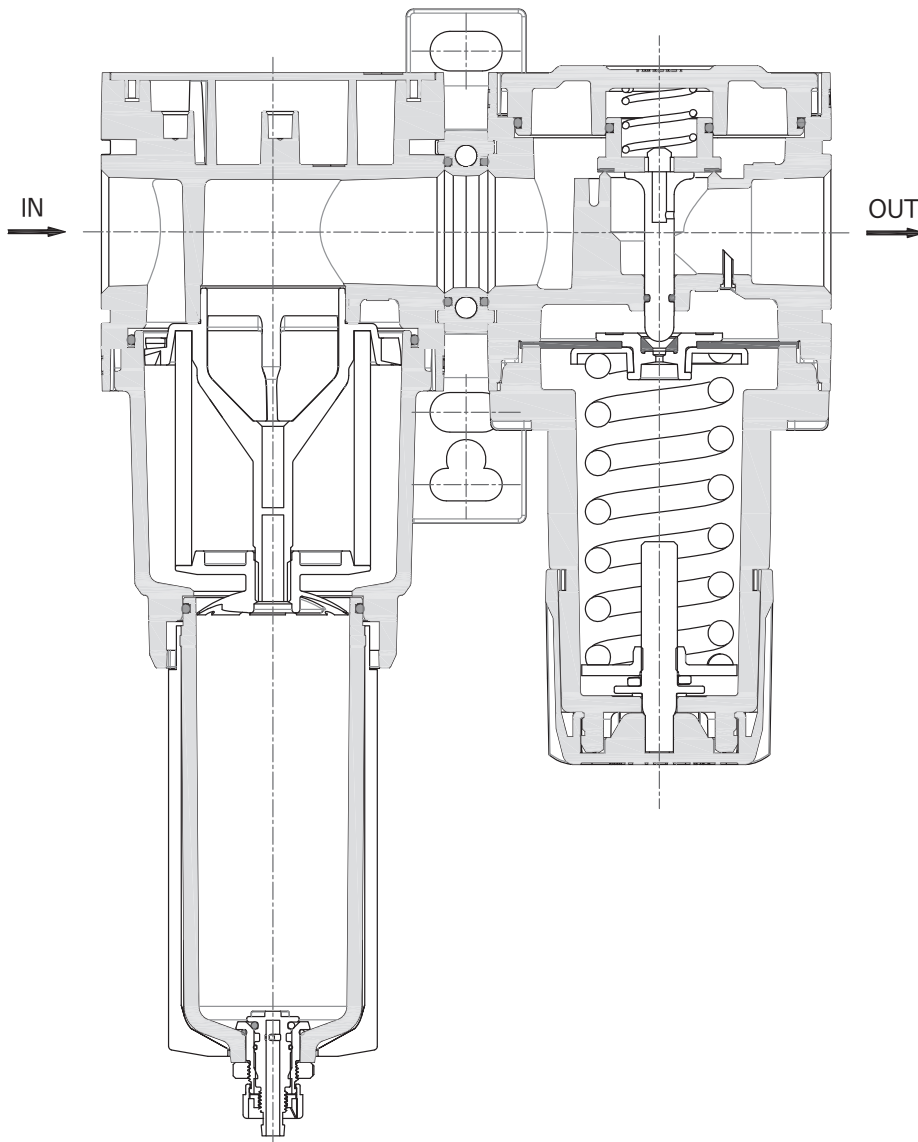


Structure

KAU 601B

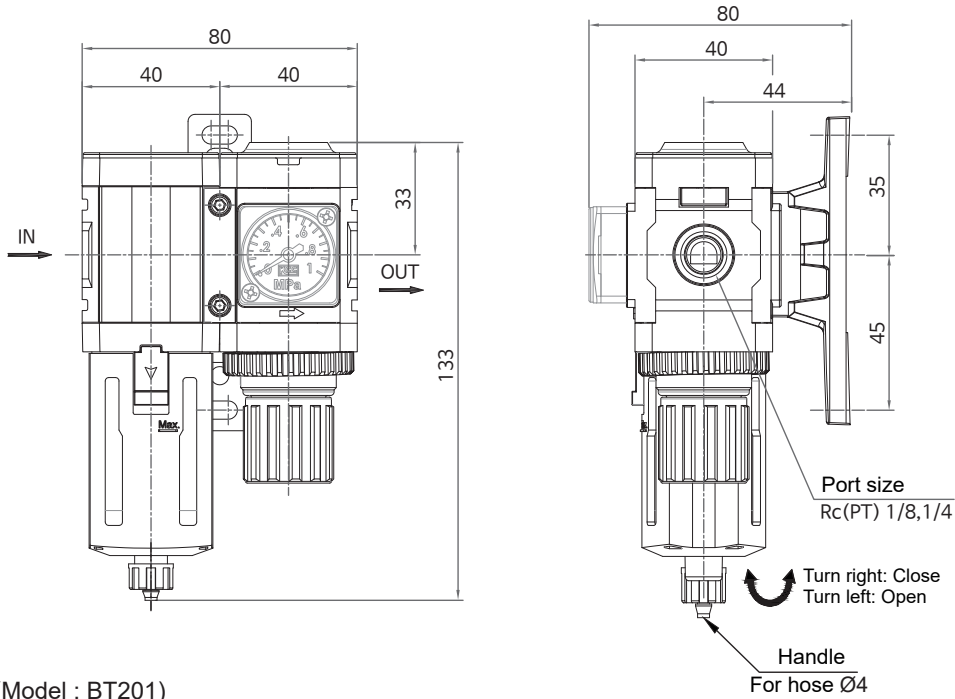
Filter

Regulator

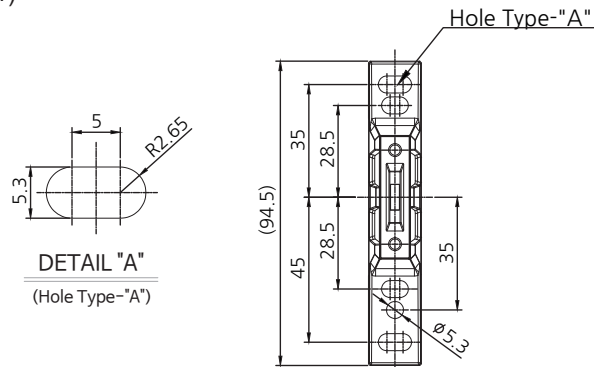


Dimensions

KAU 201A(Modular B type, Filter + Regulator)



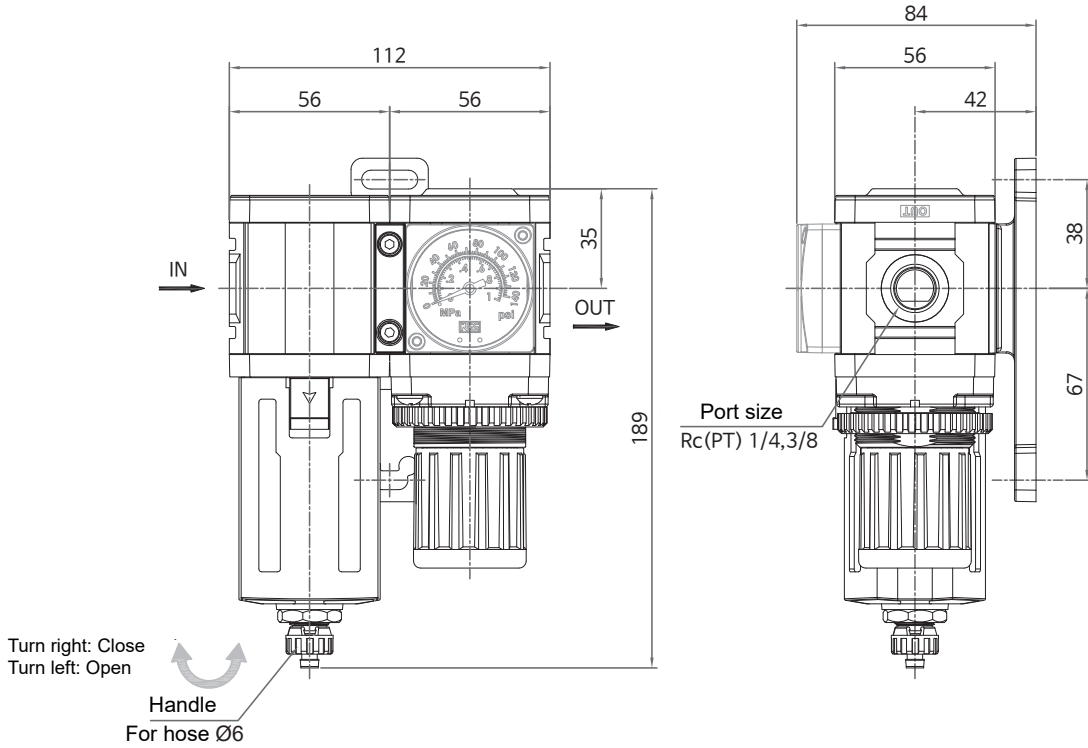
"T" Bracket(Model : BT201)



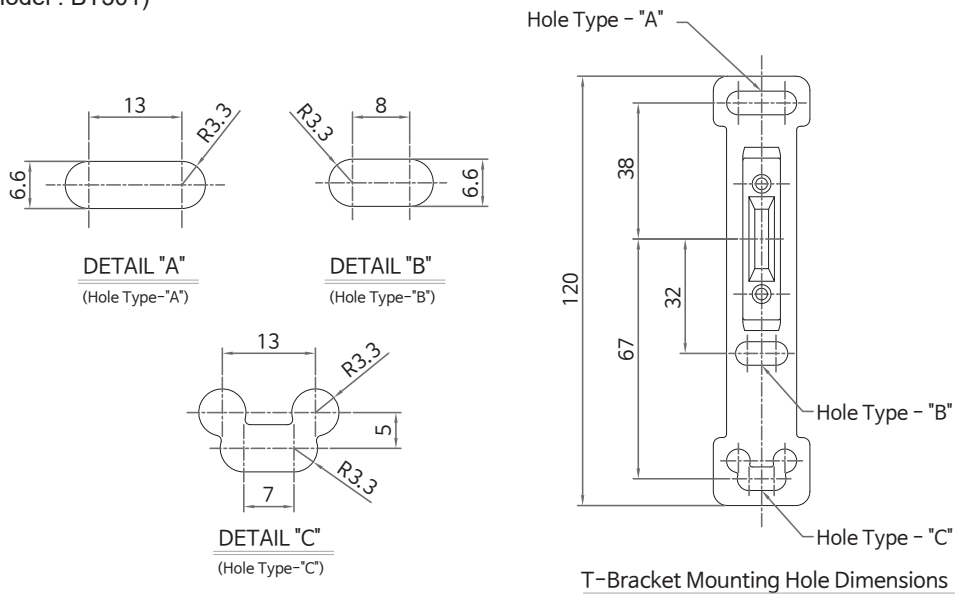
T-Bracket Mounting Hole Dimensions

Dimensions

KAU 301B (Modular B type, Filter + Regulator)

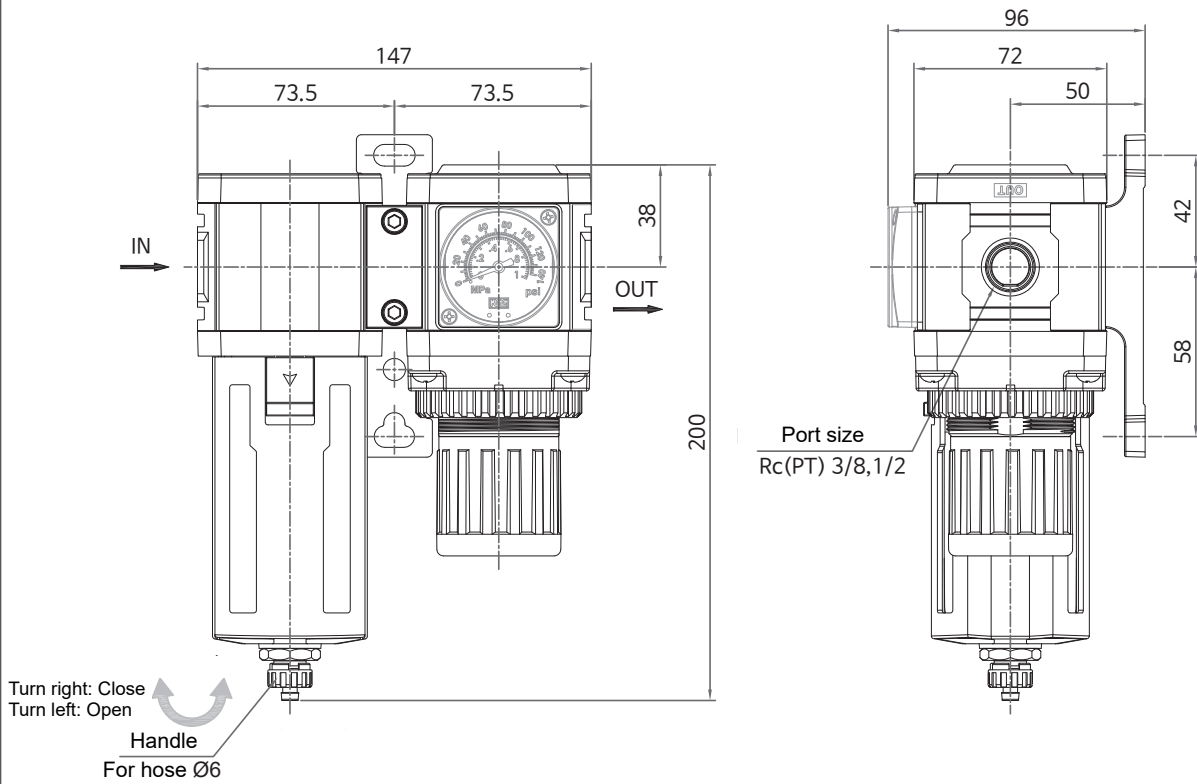


"T" Bracket (Model : BT301)

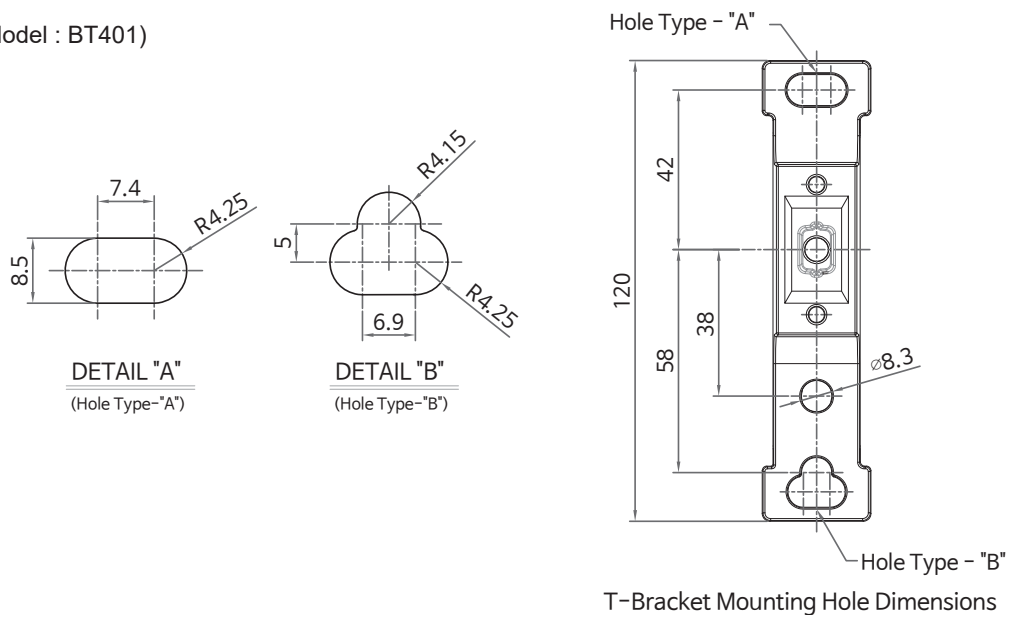


Dimensions

KAU 401B (Modular B type, Filter + Regulator)

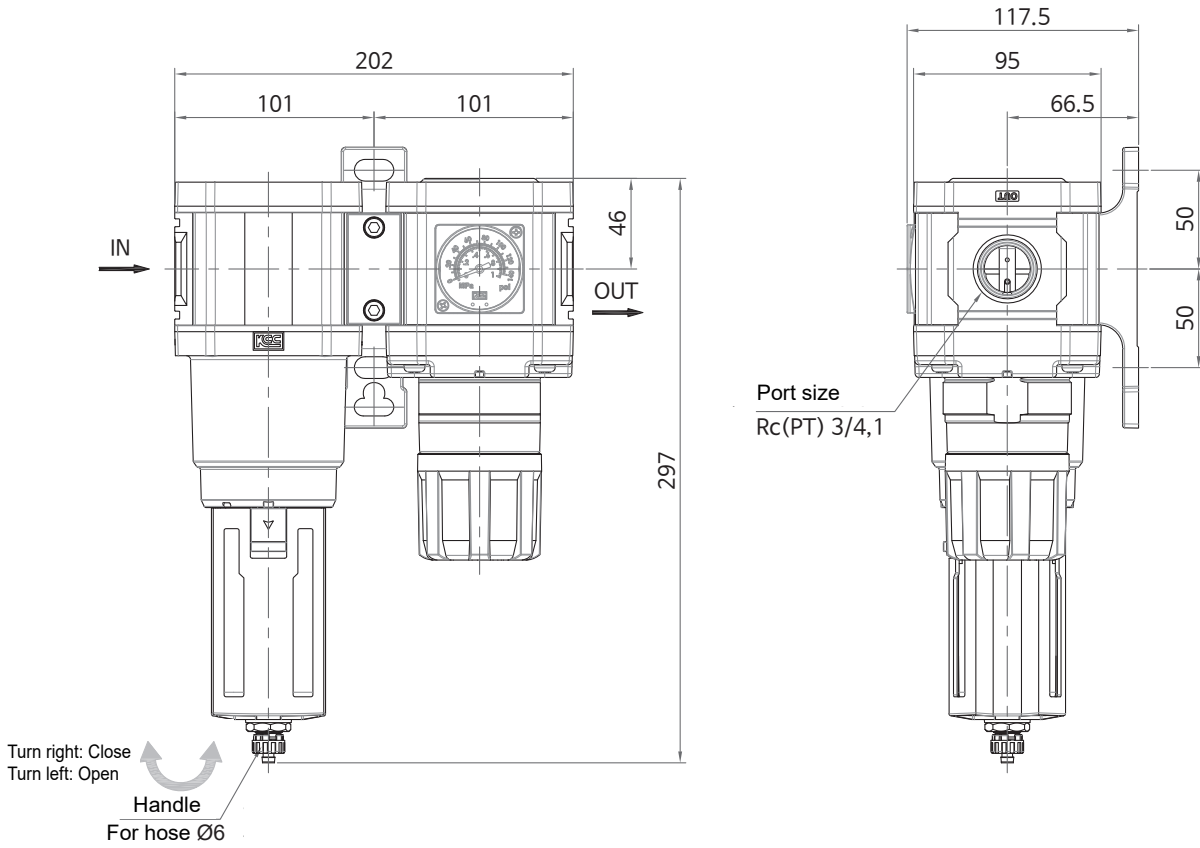


"T" Bracket (Model : BT401)



Dimensions

KAU 601B (Modular B type, Filter + Regulator)



"T" Bracket (Model : BT601)

