

KAF231 series



KAF231-02

Feature

- Removes contamination from compressed air.
- Compact and light design for internal installation.
- Easy mount in line or on a wall surface with bracket.
- Connect with any combination of modular unit.

Symbol	
KAF231 (Manual drain)	
KAF231 (Autol drain)	

How to order

KAF 231 - **N** **02** **2** **B** **D** **L**

① ② ③ ④ ⑤ ⑥ ⑦

① Model

KAF 231	1/8", 1/4"
---------	------------

② Thread type

Nil	Rc(PT) (Standard)
G	G
N	NPT

③ Port size

01	1/8"
02	1/4"

④ Filtration grade

Nil	5 μ m(Standard)
2	20 μ m
4	40 μ m

⑤ Bracket

Nil	None (Standard)
B	Bracket

⑥ Drain

Nil	Manual drain (Standard)
D	Auto drain

⑦ Bowl

Nil	Polycarbonate bowl
L	Nylon bowl

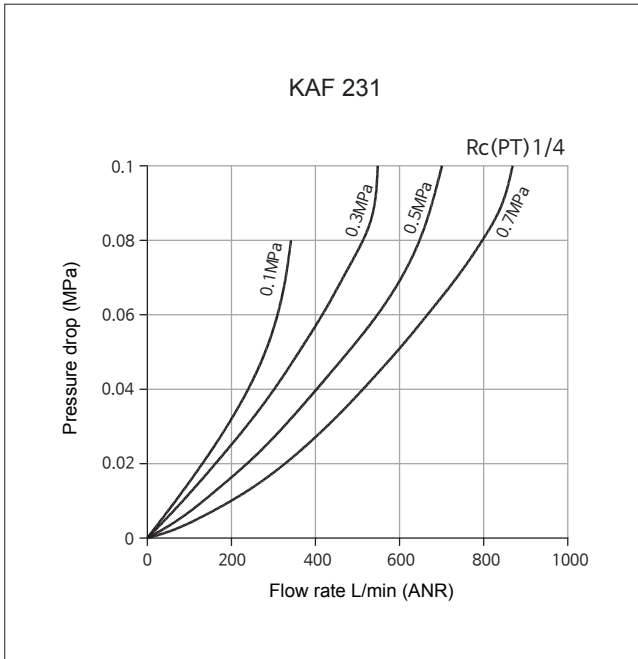
Specifications

Proof pressure	1.5MPa
Max. operating pressure	1.0MPa
Min. operating pressure	0.05MPa
Ambient & fluid temperature	5 ~ 60°C
Filtration grade	Standard: 5 μ m, Option: 20 μ m, 40 μ m
Bowl material	Polycarbonate / Transparent Nylon
Gauge connection	Rc(PT) 1/8"
Weight(g)	100

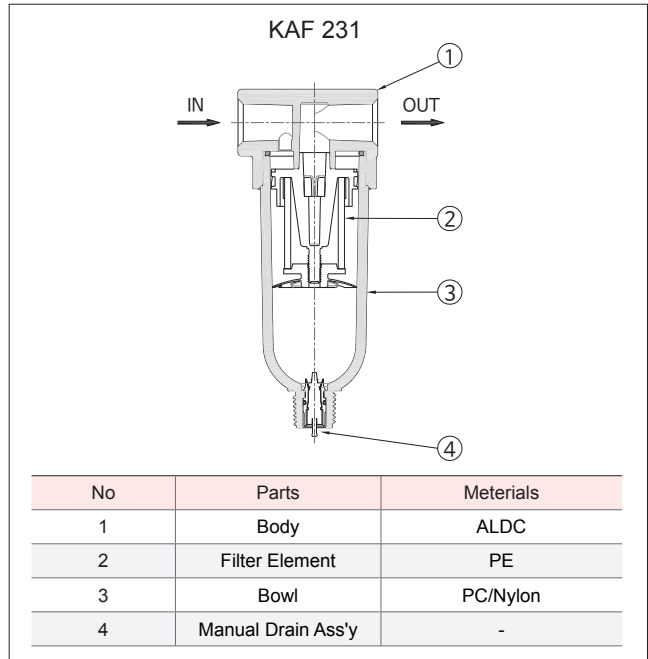
⚠ Safety precaution

- Avoid using polycarbonated case in the environment with or exposed to chemical such as thinner, carbon tetrachloride, chloroform, acetic ester, cyclohexane, trichlorethylene, sulfuric acid, lactic and etc.
- For auto drain, the tube connected to the port should have diameter larger than $\varnothing 4$ and max length 1m. Please avoid upward drainage connection.
- When auto drain is not functioning, manual draining can be done by rotating the manual handle counter-clockwise.
- For manual drain, drainage should be done before the liquid surpass the sight glass
- Min. operation pressure for auto drain is 0.1MPa

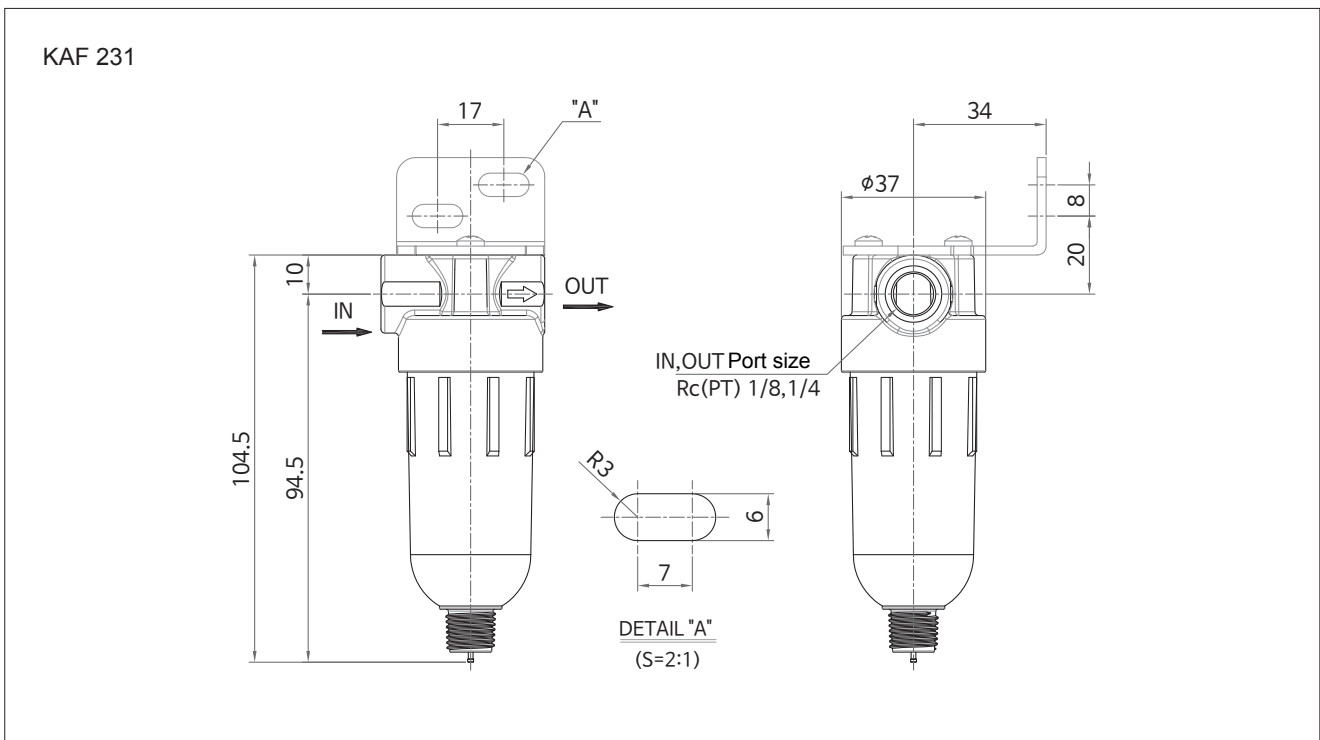
Flow rate



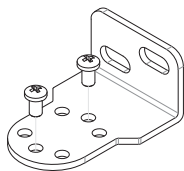
Structure



Dimensions



B : Bracket



Model : BC231

D : Auto drain

