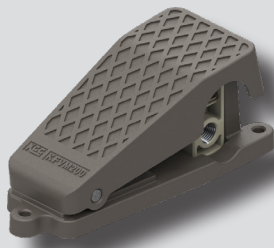


# KFVM series



KFVM 230-02



KFVM 250-02



KFVM 250-03

## How to Order

KFVM    2 3 0 - 02

① Port type

Nil	Rc(PT) (Standard)
G	G

② Number of Ports

2	<p>2 Port KFVM 220-02(1/4)</p>
3	<p>3 Port KFVM 230-02(1/4)</p>
5	<p>5 Port KFVM 250-02(1/4) KFVM 250-03(3/8)</p>

③ Port size

02	1/4
03	3/8

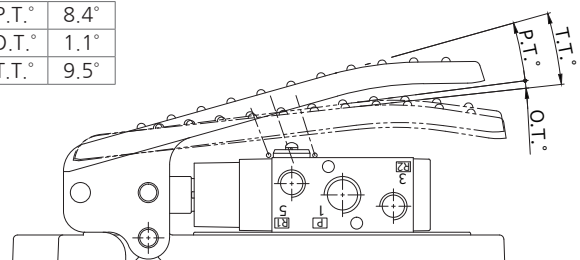
※ 03 (3/8) applies to 250 (5 ports).

## Specifications

Type	KFVM220-02 230-02	KFVM250-02	KFVM250-03
Fluid	Air		
Port size	Rc(PT) 1/4		Rc(PT) 3/8
Effective sectional area Smm <sup>2</sup> (Cv)	19mm <sup>2</sup> (1.0)		45mm <sup>2</sup> (2.4)
Operating pressure	0.15~0.9 MPa		
Ambient & fluid temperature	5°C ~ 60°C		
Lubrication	Not required (But, when lubricated Turbine oil ISO VG32 or equivalent)		
Weight	428g	345g	542g

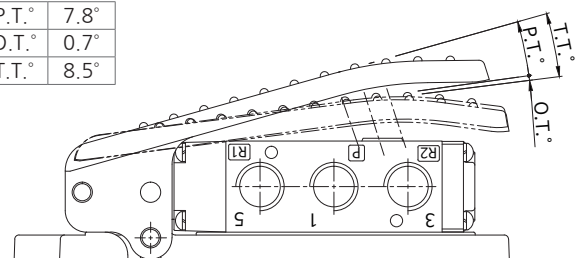
## Foot valve operating angle

P.T.°	8.4°
O.T.°	1.1°
T.T.°	9.5°



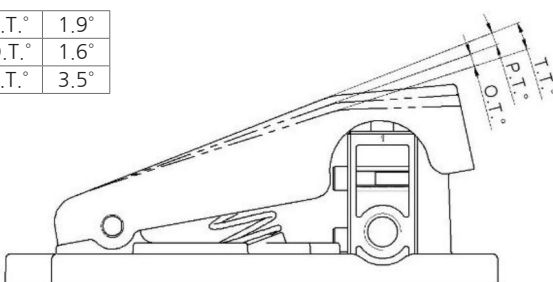
KFVM250-02

P.T.°	7.8°
O.T.°	0.7°
T.T.°	8.5°



KFVM250-03

P.T.°	1.9°
O.T.°	1.6°
T.T.°	3.5°

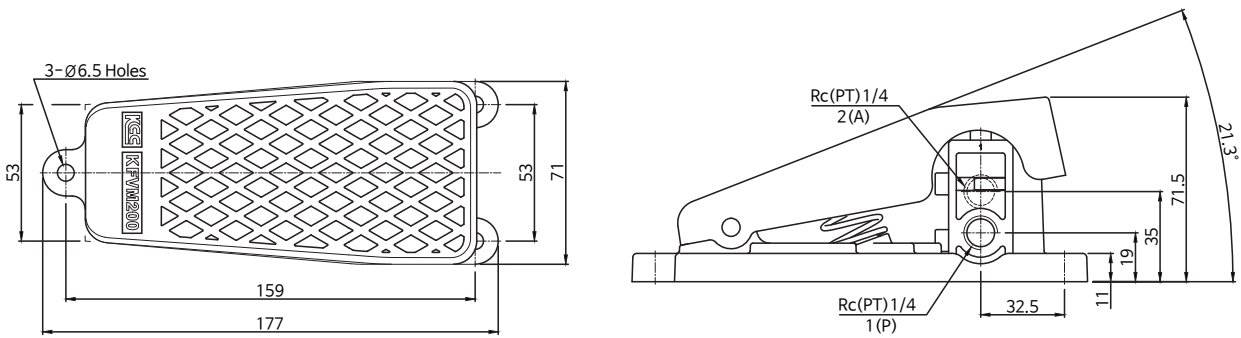


KFVM220-02  
KFVM230-02

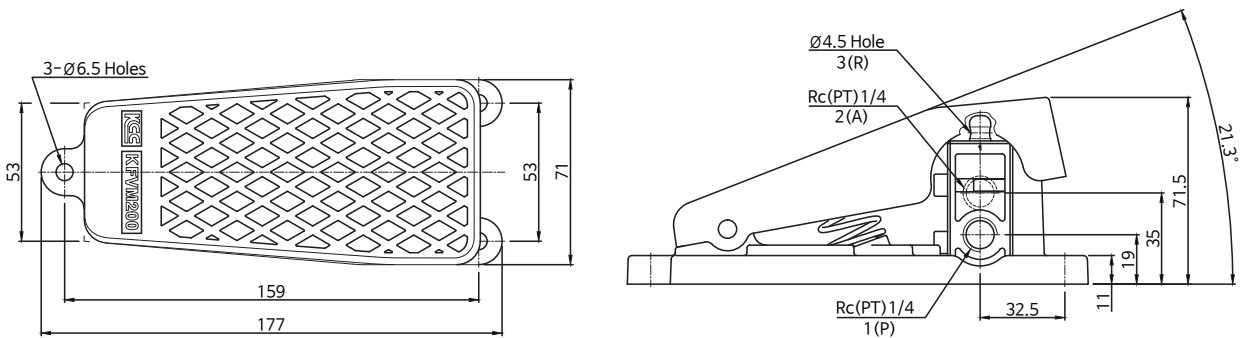
P.T.: Moving distance from the free position of the actuator to the operating position.  
O.T.: Movement distance from actuator's operating position to operating limit.  
T.T.: The travel distance from the free position of the actuator to the operating limit.

Dimensions

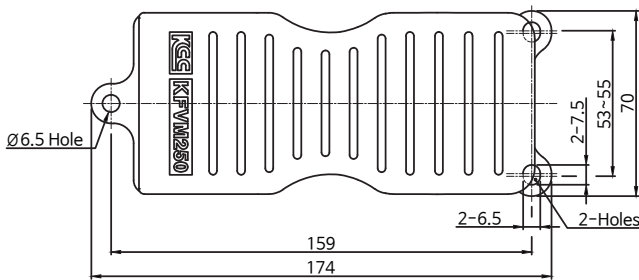
KFVM220-02



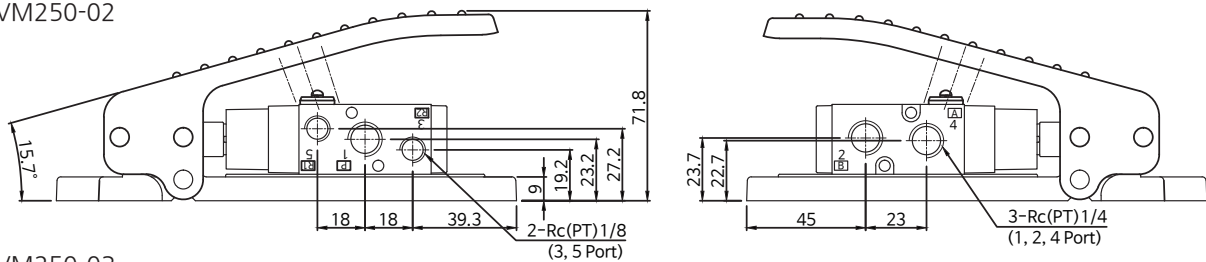
KFVM230-02



KFVM250-02, 03



KFVM250-02



KFVM250-03

