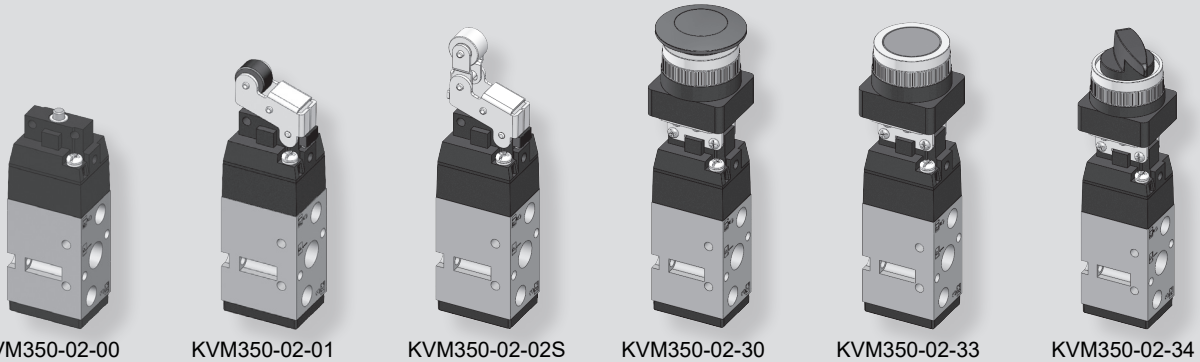


KVM350 series



How to Order

KVM 3 5 0 - 02 - 00 - S

①
②
③
④
⑤

① Port type

Nil	Rc(PT) (Standard)
G	G

② Number of ports

5	5 Port
---	--------

③ Stem type

0	Standard type
---	---------------

④ Type of actuator

00	Standard
01	Roller lever
02	One-way lever
30	Push button
33	Push button (Flat type)
34	Selector

⑤ Option

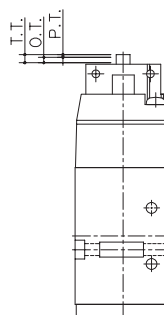
S	Metal roller	
R	Red	The color of the push button
G	Green	

Model	KVM 350-02-00	KVM 350-02-01(S)	KVM 350-02-02(S)	KVM 350-02-30-33	KVM 350-02-34
Symbol					

Specifications

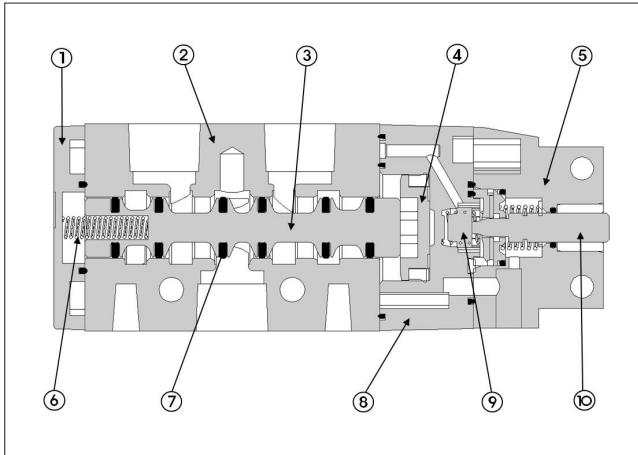
Fluid	Compressed air
Port size	Rc(PT) 1/4, G 1/4
Effective sectional area Smm ² (Cv)	19mm ² (1.0)
Operating pressure	0~9.9kgf/cm ² (0~0.99MPa)
Lubrication	Not required (But, when lubricated Turbine oil ISO VG32 or equivalent)
Ambient temperature	0℃~60℃
Weight(Standard type)	260g

Operating Point of Mechanical Valve



P.T. : Working distance from the free position to the operating position of the actuator.
 O.T. : Working distance from the operating position to the operating limit of the actuator.
 T.T. : Working distance from the free position to the operating limit of the actuator.
 F.O.F. : Force required by actuator to move from the free position to the operating limit of the operating.

Structure

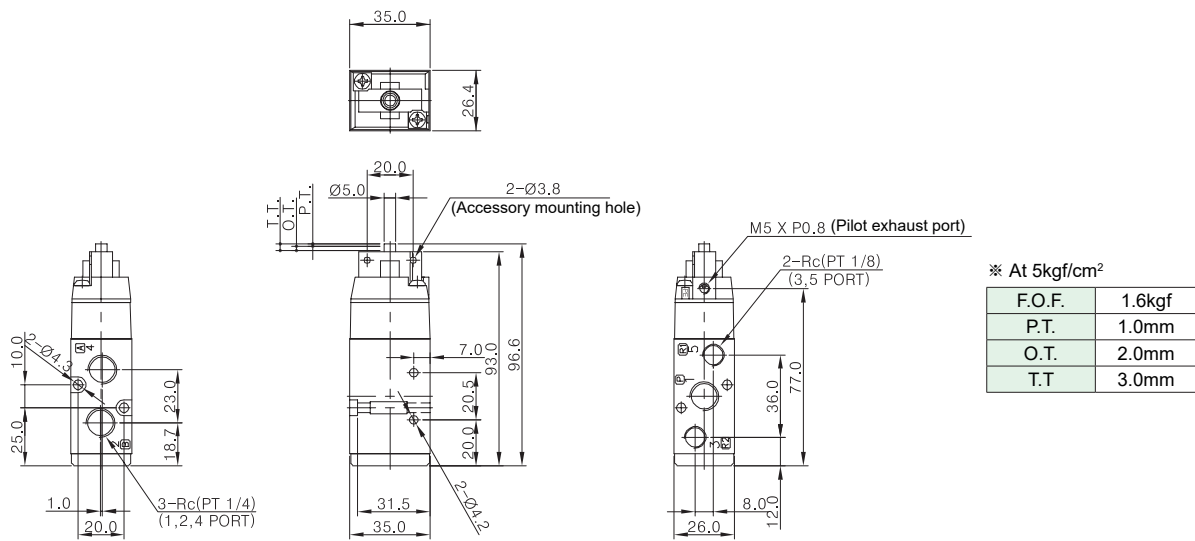


Part no.	Parts	Material
1	Cover	AL
2	Body	AL
3	Spool	AL
4	Piston	POM
5	Head Cover	Metal
6	Spool Spring	SUS
7	Spool I-Ring	NBR
8	Pilot	AL
9	Packing	NBR
10	Stem	Metal

Dimensions

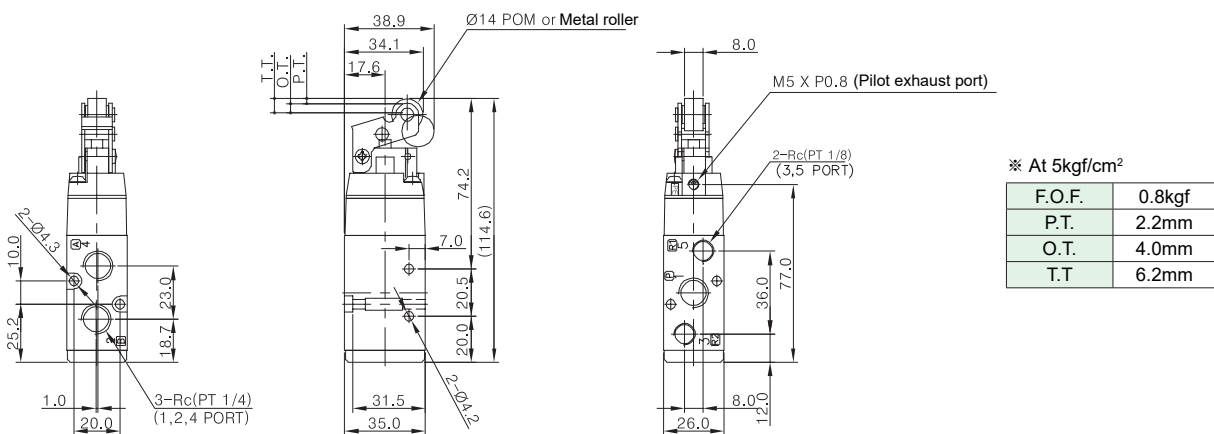
Standard

KVM 350-02-00



Roller Lever

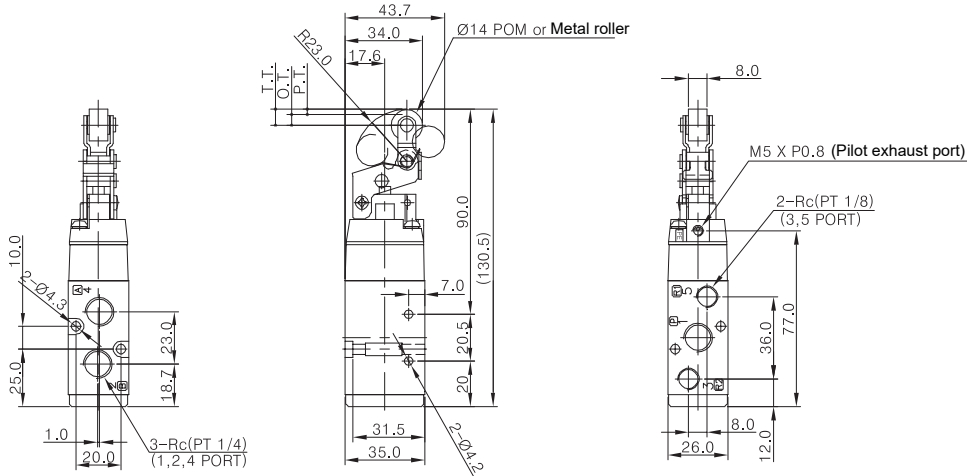
KVM 350-02-01, KVM 350-02-01S



Dimensions

One-way Lever

KVM 350-02-02, KVM 350-02-02S

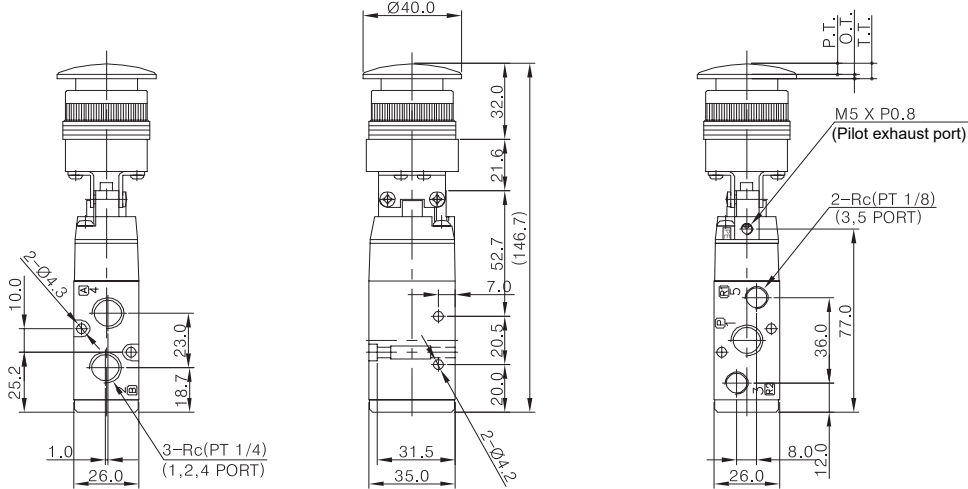


※ At 5kgf/cm²

F.O.F.	0.7kgf
P.T.	2.4mm
O.T.	4.6mm
T.T.	7.0mm

Push Button

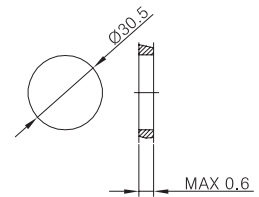
KVM 350-02-30



※ At 5kgf/cm²

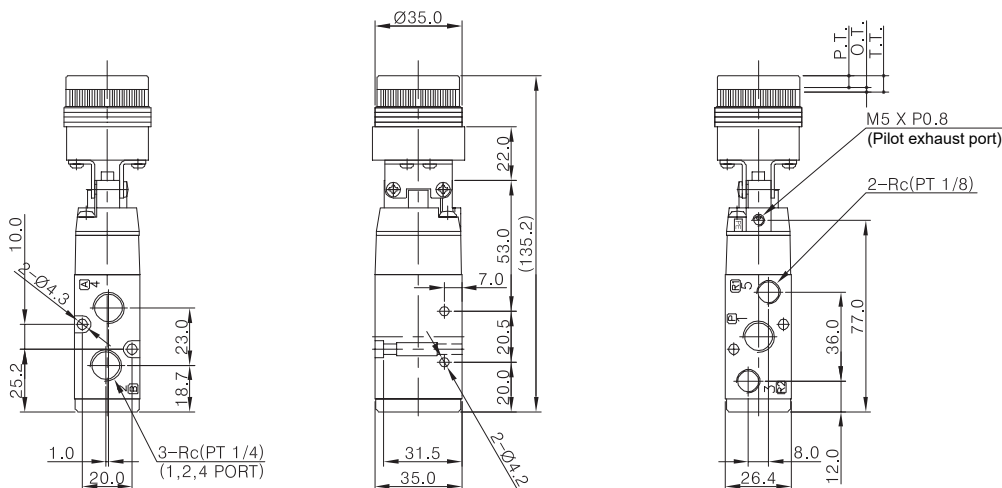
F.O.F.	2.1kgf
P.T.	4.8mm
O.T.	1.7mm
T.T.	6.5mm

Panel Mounting Hole



Push Button (Flat type)

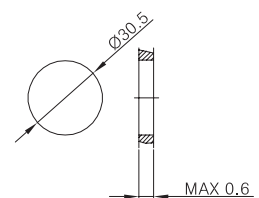
KVM 350-02-33



※ At 5kgf/cm²

F.O.F.	2.1kgf
P.T.	4.8mm
O.T.	1.7mm
T.T.	6.5mm

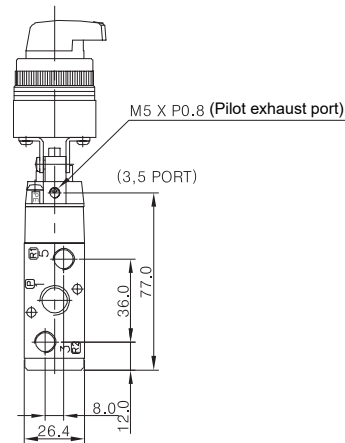
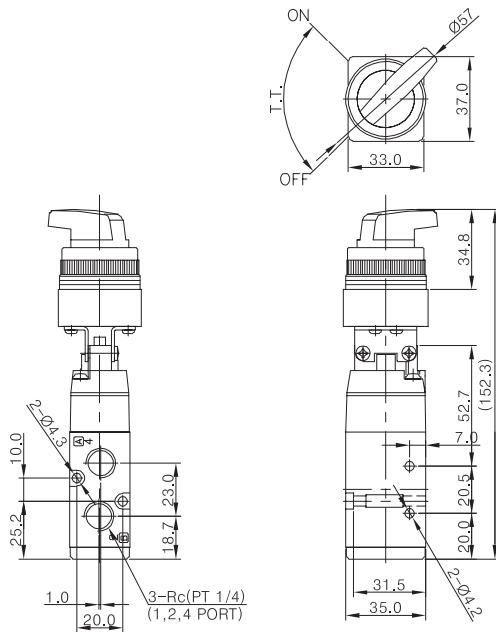
Panel Mounting Hole



Dimensions

Selector

KVM 350-02-34



※ At 5kgf/cm²

F.O.F.	2.3kgf
T.T	90°C

Panel Mounting Hole

